



## Typical Properties

Properties	Position	Unit	UHP		HP	RP
			300-600mm	650-800mm	300-800mm	300-800mm
Specific Resistance	Body	$\mu\Omega\text{m}$	4.8-5.8	4.6-5.8	5.8-6.6	7.8-8.8
	Nipple		3.8-4.5	3.8-4.5	4.2-5.0	5.0-6.5
Bending Strength	Body	Mpa	10.0-14.0	10.0-14.0	10.0-13.0	7.0-12.0
	Nipple		20.0-26.0	20.0-26.0	18.0-22.0	15.0-20.0
Young's Modulus	Body	Gpa	9.0-13.0	10.0-14.0	8.0-12.0	7.0-9.3
	Nipple		15.0-18.0	15.0-18.0	14.0-16.0	12.0-14.0
Bulk Density	Body	g/cm <sup>3</sup>	1.68-1.74	1.70-1.74	1.62-1.66	1.53-1.56
	Nipple		1.77-1.82	1.78-1.84	1.74-1.80	1.70-1.74
CTE(100-600°C)	Body	$\times 10^{-6}/^{\circ}\text{C}$	1.1-1.4	1.1-1.4	1.6-1.9	2.2-2.6
	Nipple		0.9-1.2	0.9-1.2	1.1-1.4	2.0-2.5
Ash Content		%	0.3	0.3	0.3	0.5



# Dimensions & Tolerance

DN	Actual Diameter		Nominal length and tolerance							
	Max	Min	1800		2100		2400		2700	
			Standard	Short	Standard	Short	Standard	Short	Standard	Short
200	205	200	±100	-275						
250	256	251								
300	307	302								
350	357	352								
400	409	403								
450	460	454								
500	511	505	±125	-275						
550	562	556								
600	613	607					±125	-275		
650	663	657							+200 -150	-300
700	714	708								
750	765	759								
800	816	810								



# Hebei Sanlong Carbon Products Co., Ltd

## Size of 4TPI Nipple and Socket

unit: mm

Diameter of Electrode	Type	Nipple		Socket			Pitch
		Max. Diameter(A)	Length(L)	Effective Diameter(B)	Depth(S)	Thread length(T)	
800	432T4L	431.80	635.00	428.64	323.50	319.50	6.35
750	406T4L	406.40	609.60	403.24	310.80	306.80	6.35
750	406T4N	406.40	584.20	403.24	298.10	294.10	6.35
700	374T4L	374.65	558.80	371.49	285.40	281.40	6.35
700	374T4N	374.65	457.20	371.49	234.60	230.60	6.35
650	355T4L	358.60	558.80	355.44	285.40	281.40	6.35
650	355T4N	358.60	457.20	355.44	234.60	230.60	6.35
600	317T4L	317.50	457.20	314.34	234.60	230.60	6.35
600	317T4N	317.50	355.60	314.34	183.80	179.80	6.35
550	298T4L	298.45	457.20	295.29	234.60	230.60	6.35
550	298T4N	298.45	355.60	295.29	183.80	179.80	6.35
500	269T4L	269.88	457.20	266.72	234.60	230.60	6.35
500	269T4N	269.88	355.60	266.72	183.80	179.80	6.35
450	241T4L	241.30	355.60	238.14	183.80	179.80	6.35
450	241T4N	241.30	304.80	238.14	158.40	154.40	6.35
400	222T4L	222.25	355.60	219.09	183.80	179.80	6.35
400	222T4N	222.25	304.80	219.09	158.40	154.40	6.35
350	203T4L	203.20	304.80	200.04	158.40	154.40	6.35
350	203T4N	203.20	254.00	200.04	133.00	129.00	6.35
300	177T4N	177.80	215.90	174.64	114.00	110.00	6.35

Add: 24th Floor, Kangqiao International, No.669 Lingyuan Road, Handan City, Hebei Province, China

Mobile/Wechat/WhatsApp: +86 13763338205

Tel/Fax: +86 0310 3189169

<http://www.sanlonggraphiteelectrode.com/>

Email: [billyzhang0215@fy-carbon.com](mailto:billyzhang0215@fy-carbon.com)



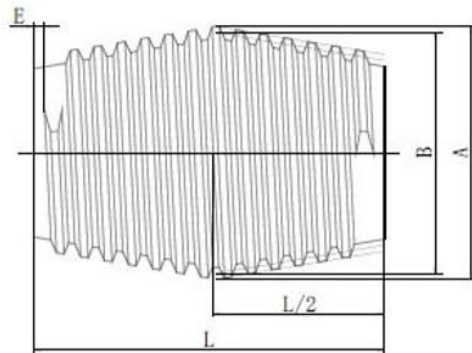
**Size of 3TPI Nipple and Socket**

unit: mm

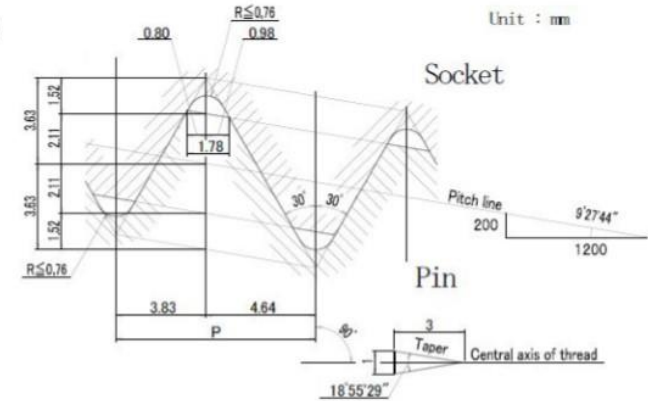
Diameter of Electrode	Type	Nipple		Socket			Pitch
		Max.Diameter(A)	Length(L)	Effective Diameter(B)	Depth(S)	Thread length(T)	
550	298T3L	298.45	457.20	294.24	234.60	230.60	8.467
500	273T3L	273.05	457.20	268.84	234.60	230.60	8.467
500	273T3N	273.05	355.60	268.84	183.80	179.80	8.467
400/450	241T3L	241.30	355.60	237.09	183.80	179.80	8.467
400/450	241T3N	241.30	338.70	237.09	175.35	171.35	8.467
350/400	215T3L	215.90	355.60	211.69	183.80	179.80	8.467
350/400	215T3N	215.90	304.80	211.69	158.40	154.40	8.467
300	177T3N	177.16	270.90	172.95	141.45	137.45	8.467

# Technical Drawing

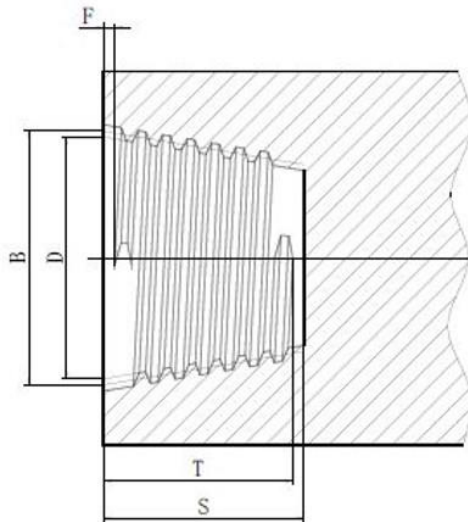
## ■ Nipple Details



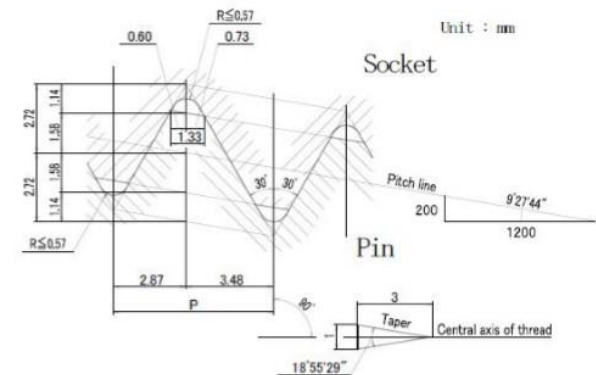
## ■ Thread Details 3 TPI (Pitch length 8.467mm)



## ■ Socket Details



## ■ Thread Details 4 TPI (Pitch length 6.350mm)



## Package

**Separated package**---The electrodes and nipples are packaged separately.

**Pre-connection package**--- The nipple is connected with one end of electrode body in advance, and then both of them are packaged by wooden rafters, strapped outside with steel bands, the threaded nipples and end faces are covered by foamed plastic caps in order to protect them from damage.

